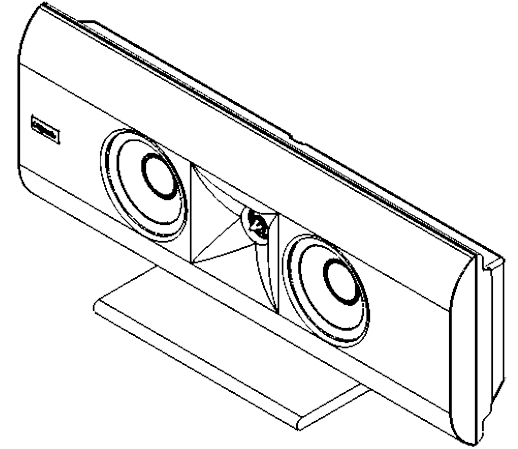
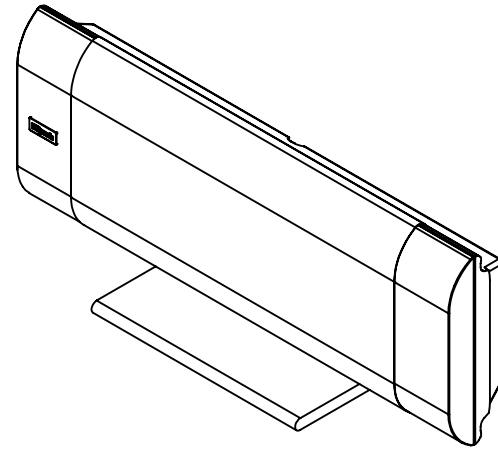
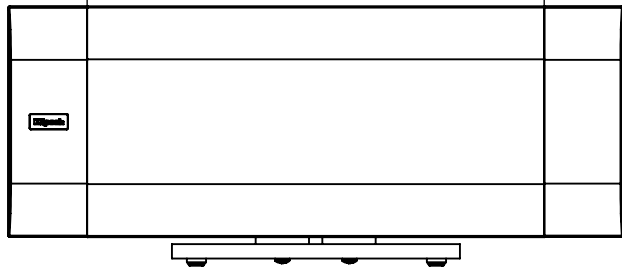
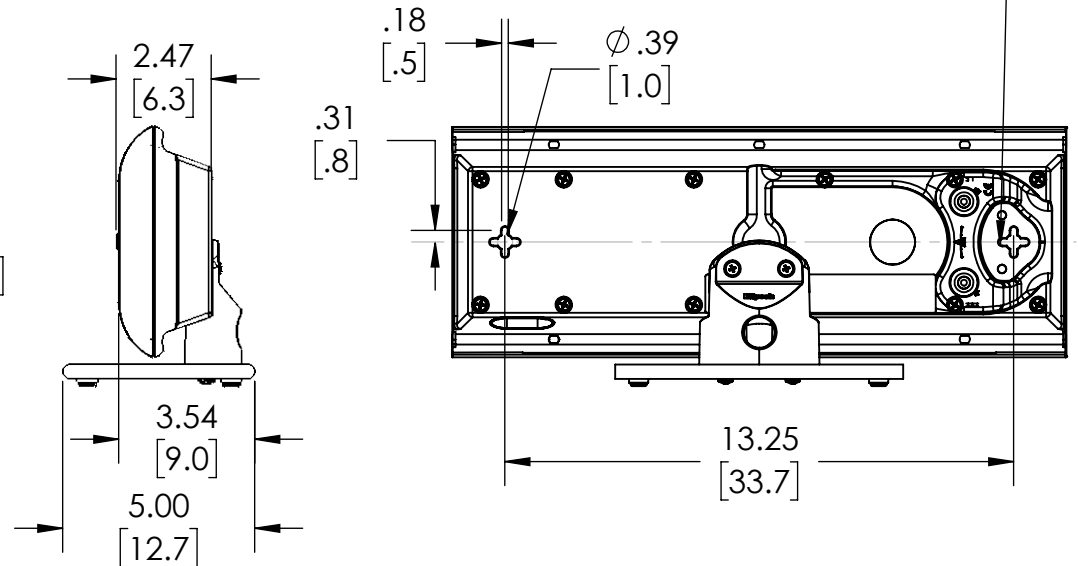
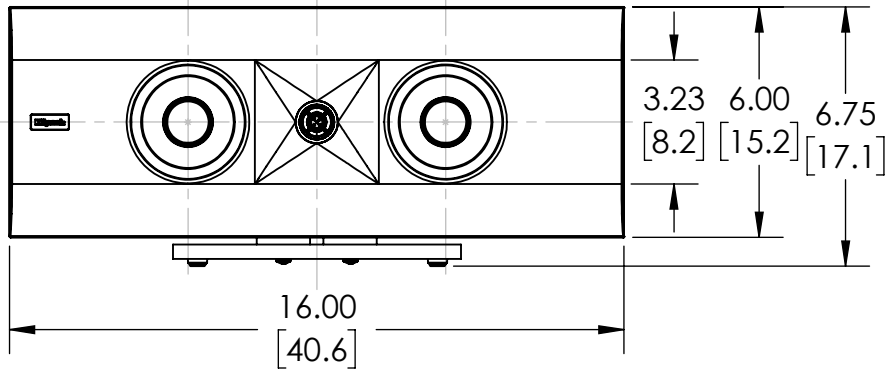


11.90
[30.2]



SCREW IN LOCATION FOR THE
STAND VERTICAL ORIENTATION

3.35 3.35
[8.5] [8.5]



NOTES

1. BAFFLE LOGO ROTATES
2. SPEAKER CAN BE MOUNTED HORIZONTAL OR VERTICAL

MODEL: RP-240D

DATE: 2018-08-11

DIM: INCH [CM]

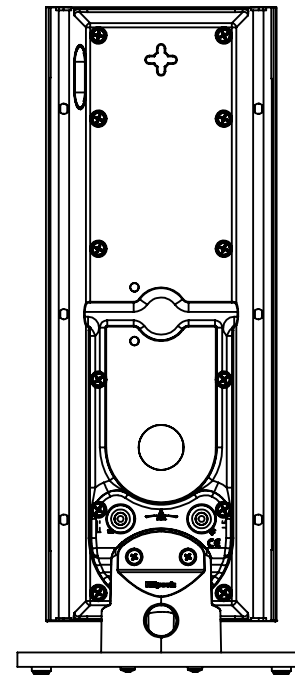
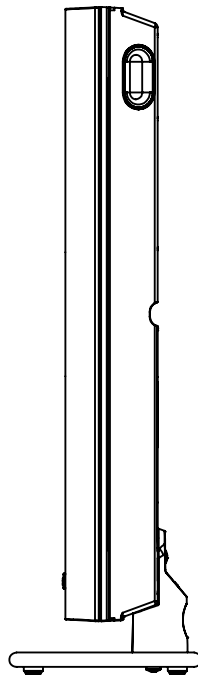
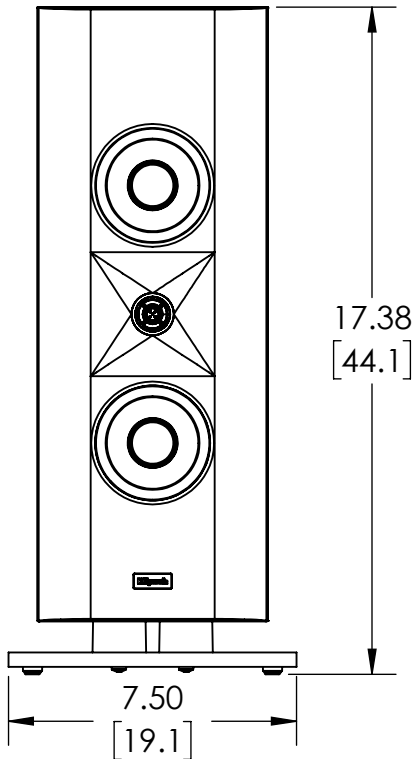
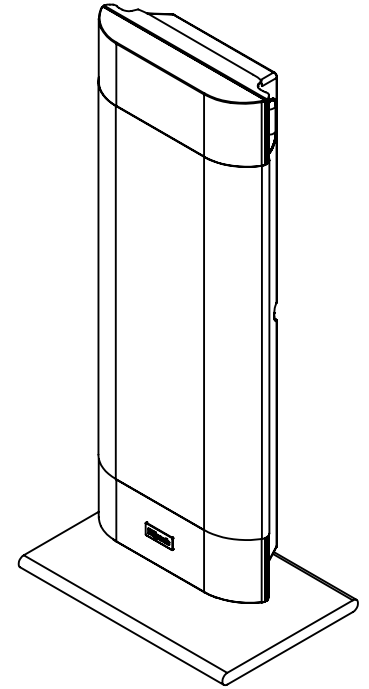
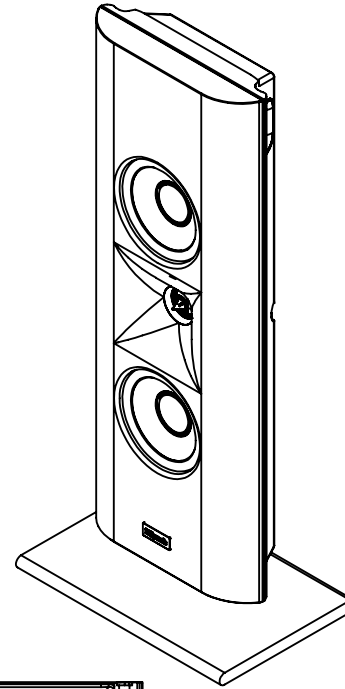
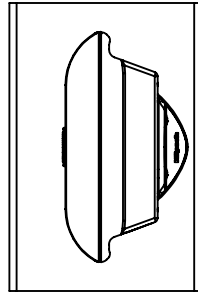
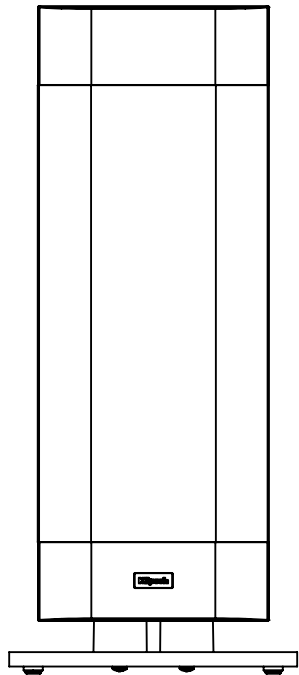
SHEET: 1 OF 2

SCALE: 1:5

Klipsch
KEEPERS OF THE SOUND

3502 WOODVIEW TRACE INDIANAPOLIS, IN 46268
KLIPSCH.COM

All specifications are subject to change without notice.
© 2016 Klipsch Group, Inc. Klipsch and Keepers of the Sound are registered trademarks of Klipsch Group, Inc. a wholly-owned subsidiary of Vox International Corporation.



MODEL: RP-240D

DATE: 2018-08-11 DIM: INCH [CM]

SHEET: 2 OF 2 SCALE: 1:5

Klipsch
KEEPERS OF THE SOUND

3502 WOODVIEW TRACE INDIANAPOLIS, IN 46268
KLIPSCH.COM

All specifications are subject to change without notice.
© 2016 Klipsch Group, Inc. Klipsch and Keepers of the Sound are registered trademarks of Klipsch Group, Inc. a wholly-owned subsidiary of Voxco International Corporation.